

CT Series

Compact Carat Balance



JQA-2834
TSUKUBA



TECO
ISO 14001:2004
ER-00130

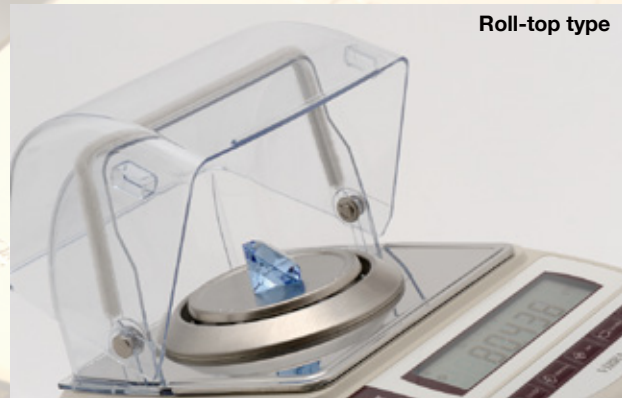
Specifications

Model	"Roll-top" windshield type		Three-sliding windshield type	
	CT 603 CT 603CE	CT 1602 CT 1602CE	CT 603G CT 603GCE	CT 1602G CT 1602GCE
Capacity	600ct	1600ct	600ct	1600ct
Readability (d)	0.001ct	0.01ct	0.001ct	0.01ct
Verification intervals (e) *1	0.01ct	0.1ct	0.01ct	0.1ct
Repeatability	0.001ct	0.01ct	0.001ct	0.01ct
Linearity	±0.003ct	±0.03ct	±0.003ct	±0.03ct
Stabilization time	4.0 sec.	4.0 sec.	4.0 sec.	4.0 sec.
Pan size	80mm dia	80mm dia	80mm dia	80mm dia
Calibration	External	External	External	External
Output	RS232C	RS232C	RS232C	RS232C
Dimension	235×182×165mm		251×207×260mm	
Weight	Approx. 1.6kg		Approx. 2.4kg	

*1 "CE" models are OIML class I approved. Verification interval "e" is available only in "CE" models.

Compact housing

CT series is equipped with unique "Roll-top" windshield. It enables user to access the balance from front and reduces the volume of balance housing. Standard three-sliding windshield model is also available.



Roll-top type



Three Sliding door type

Readability from 0.001ct to 0.01ct

0.001ct readability with capacity 600ct is very much fitted to weighing of diamond. It is typically used in diamond jewelry shops and diamond manufacturers.



Options

AJBT(S)	Rechargeable battery
CTCP	Carat pan
SDI	Satellite second display

Common specifications

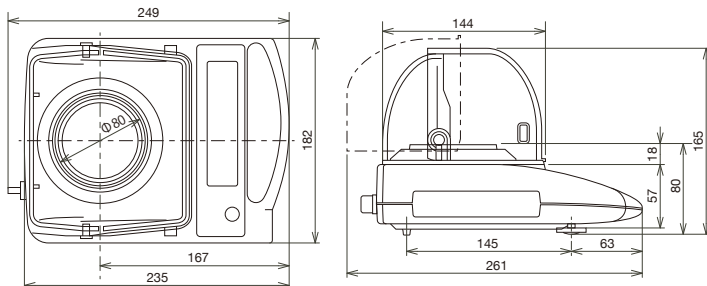
Measuring system:	Tuning-fork frequency sensing
Tare:	Full weighing range
Display:	LCD (16.5mm height)



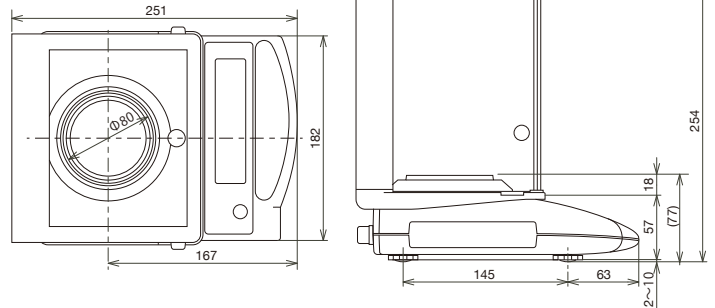
SDI

Dimensions

Roll-top shield



Three Sliding door shield



SHINKO DENSHI CO., LTD.

SHINKO DENSHI CO., LTD.
 3-9-11 YUSHIMA, BUNKYO-KU, TOKYO 113-0034
 TEL : 81-3-3835-4577 FAX : 81-3-5818-6066
 URL : <http://www.vibra.co.jp/global/>
 E-mail : shinko-denshi@vibra.co.jp

Distributed by: